



# USER MANUAL

## ZeeGo-DIM AC-P1

### PUCK DIMMER

v1.19

Puck Dimmer has a track Mosfet control receivers 1x230VA or 1x230W smoothly in the range 0..100% and is designed for installation in flush-mounted boxes or in case the controlled device,

It is possible wireless connectivity (Zee) or wired (Wee) system. The unit can control one key mosfet, co-operation with 2 buttons mono and bistable, maintenance: equipment 1wire, i2c, devices controlled by infrared LED color backlight keys. The device can be depending on the version supplied from the bus Wee 5 / 12VD or 230V ~.

You can select the slope trailing or leading edge, and a soft start (start time and slope configurable).

The device allows you to control energy saving light bulbs, motors, fluorescent lamps.

### Explanation of symbols

- The flash symbol indicates the danger of electric shock
- The symbol indicates another danger that may occur while still incorrect

### Safety rules

- Be sure to read the instruction manual. The device should be used as you intended. In the case of use of the device misuse, or failure to comply with the following instructions, the manufacturer accepts no liability for any damage to property or to the person and the guarantee / warranty expires.
- The device must be connected to single-phase in accordance with applicable standards. This manual defines the connection. Activities relating to the installation and connection should be done by qualified installers electricians after reading this instrukcja.
- Disassembling of the device and its damage will void the warranty, and pose a risk of electric shock. Before assembly, make sure that connecting cables are not powered.

### Technical data

Supply voltage 230V~ 50Hz

Contact load 1A/230V~ or 1A/30V~  
 Working temperature -10°C..+35°C  
 Operating frequency 2.4GHz DSSS, 16 channels ISM

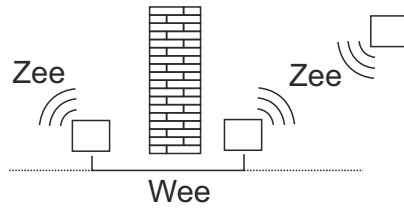
Comply with the Directives RTTE

Dimensions of the product 42 x 42 x 22 mm  
 Energy consumption - for Wee power  
 Energy consumption max <1W for power 230V~  
 Radio coverage ~ 30m in the building  
 ~ 300m in the field  
 ~ 500m bus length  
 Range cable AES 128bit encryption  
 Protection of transmission PIN for each unit  
 Weight 27g

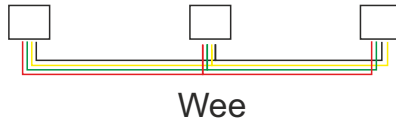
### I Automation system

ZeeGo is a building automation system, in which the device can be connected to the main cable (Wee) or radio (Zee).

Radio equipment to build a network of MESH (grid), where typically each network node can transmit data on, and in case of its failure or shutdown, the network will rebuild automatically.



The radio signal is attenuated by any obstruction such as a wall or housing, applying in the case of wires improves call quality, and also eliminates cumbersome loss of communication, through the complete stability of the connection. In a wired network, you can connect wired devices 255.



Wee wires are connected in parallel, and each device connected by wire, can build independent radio networks available on 16 channels, each radio network can connect 255 radio devices.

The transmission is bi-directional with confirmations and repeats the message is encrypted with AES with 128 bit key, each device has its own individual PIN number needed to connect with the panel in the full encryption and a unique Serial Number.

Radio transmission takes place in a free 2.4GHz band on one of the 16 channels. The high sensitivity devices provide error-free transmission even in highly disturbed environments.

Device allows you to control one track mosfet based on user scenarios, and the combination of 2 keys mono / bi stable inducing scenarios, as well as a number of external sensors on the many available connections. All these features are available regardless showing the huge potential of the device.

- Typically the device is intended for installation in installation boxes O 50 under any mechanism of a keyboard, offering additionally:
  - Key illumination LED RGB (color and intensity depends on the selected program)
  - A combination of infrared transmitter to control devices such as remote control
  - Merger IR receiver for use with infrared remote controls, as well as the extension of pilots
  - A combination of sensors bus 1wire: thermometers
  - I2c connection of sensors: humidity, pressure, light, temperature, zoom and more

Each of the events can be used to build the appropriate system response.

The installation must have a constant supply Isolator bipolar separation joint that at least 3mm.

### II Installation of the unit

- The device should be installed after disconnecting the power phase. Make sure that cables are not under voltage.
- The behavior of the order indicated connections, allows for correct installation.

1. Note of the card PIN and Serial Number (SN) device (Both located on the housing of the device)
2. Connect the wires N, L, O, according to Fig. 1

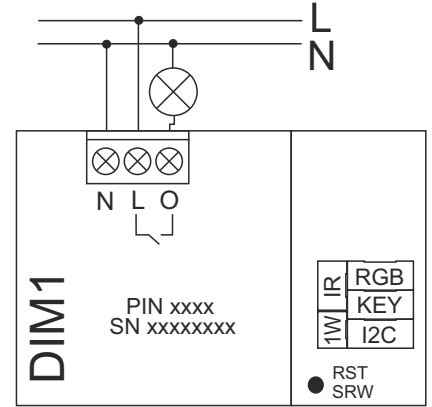


Fig.1 Connection diagram

- Explanations to the scheme:
- N - terminal neutral conductor
  - L - terminal phase conductor
  - O - terminal power receiver
  - SRW - indicator light status
  - RST - service button to reset the device
  - IR - infrared interface
  - 1W - 1-wire bus connector
  - I2C - i2c bus connector
  - RGB - a color RGB LED connector
  - KEY - key connector
  - Wee - Wee bus connector

3. Connect the buttons according to the scheme

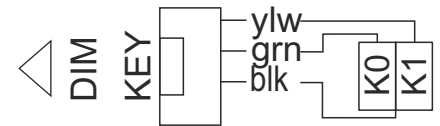


Fig.2 Wiring diagram keys to the connector KEY

- Explanations to the scheme:
- KEY - buttons module connector
  - K0, K1 - buttons 0 and 1
  - cable colors: ylw - yellow, grn - green, blk - black

4. Put the plug in the connector KEY button module.
5. Insert the plug LED RGB to RGB, plug the sensor into the slot 1Wire 1W, plug I2C I2C socket, plug socket IR IR.
6. Put the module to the can wall being careful not to damage the cables, high voltage cables put in the can so as not to interfere with the module. This operation requires some practice, it is recommended to perform the installation by trained personnel.
7. We assume key mechanism guiding the desired device to the front.
8. Screw the mechanism buttons.
9. assume badge mechanism stacking equipment according to the needs.
10. We assume buttons.

From the moment the device is not connected to the system will operate in emergency mode; K1 button will turn on the receiver about 100%.

### III Launching Device

It is recommended that a system configured by connecting all devices, facilitate system configuration.

1. Plug the control unit of the system, according to the instructions to connect the control unit.
2. Turn on the control unit



All the following activities will be carried out using the UI in short called UI.

**USER INTERFACE (UI)** - is the means of user access to the system (eg. A mobile phone)

3. UI - Select option Discovery

The control device begins to recognize and build a network after the completion of this process will be presented to the relevant report

4. Select the device you want to connect, and when prompted by the system give the PIN for each of them.



Since then, the link will no longer work in Safe mode, unless the panel will be available. In the case of loss of communication **EMERGENCY MODE** is activated.

5. UI configure the functions available using the wizard FUNCTIONS.

6. UI configure operational scenarios using the wizard SHARES.

A detailed description of configuring the system. is presented in the manual control system and on the website of the system.

#### Available input signals keys:

- Button 0 Button 1; after you configure the buttons (monostable, bistable) can convey:

The actions in the monostable mode:

1 click, 2 click, click 3 - Button Event

holding - (active until release)

1 click while holding down the 2-click while holding down

The actions in the bistable mode:

Releasing and pressing the button

#### Available input signals of sensors:

Depending on the configuration, are available:

The reading, change of reading, the frequency of reporting changes, the size of the reported value changes

This applies measured values: light (lux), close (%), temperature (C), humidity (%), pressure (hPa), others.

#### Available input signals, output key fet:

- Status%, delay time, rise / fall time

#### Available input signals, output RGB:

- The color of the channel, rise time, animations - the delay, intermediate colors (max 3 passes), blink, double blink

#### Available inputs, outputs IR:

- send/ receive command

### IV Operating status, Reset

Operating status is signaled by the indicator light, which the state can be seen looking in the window service SRW.

State service work is signaled by a flashing lamp:

- The light flashes 8 times per second - no connection to the network,

- Flashes 1 time per second - a network connection

After connecting to the network, the light stops blinking, the device is in normal operating mode.

The unit can be restarted by pressing the service button (insert a thin object in the window RST)

- Short press will restart the machine (the LED blinks slowly once and then quickly 2x)

- Pressing long (more than 2 seconds) will cause a reset (erasure of key memory network), will introduce the device in service mode - it will be possible to join the unit to another network.

### V Warranty

#### TERMS OF WARRANTY:

1. The guarantor of the quality of the device is Zeegroup Sp.zo.o. (Hereinafter referred to as the "Guarantor" registered in Poland, Lodz, ul. Tuwima 6, 90-010

2. The guarantor shall provide a guarantee for the device - in the case of individual customers is 24 months, while in the case of business customers (who purchase their devices in connection with or for the purposes of the business) 12 months. This term is calculated from the date of delivery of goods to the Client.

3. The warranty covers the liability of the Guarantor for the malfunction of equipment due to its physical defects, which have stood for reasons inherent in the Device and revealed within the warranty period.

4. The warranty is valid on Polish territory.

5. During the warranty period, the Guarantor undertakes to remove the defects of physical devices by:

a) make the free repair devices, including exchange any defective or damaged parts or parts with new or reconditioned and free from defects or

b) replacement of equipment at the new and free from defects.

The right to choose how to remove physical defects devices exclusively to the Guarantor and is solely at his discretion.

6. If the device is to offer the Guarantor reserves the right to exchange for other devices, with similar parameters currently available from the Guarantor. This is an implementation of the obligations of the Guarantor.

7. As part of the guarantee client does not have permission to withdraw from the agreement of sale devices and reclaim money paid for the device.

8. Client with a valid warranty document makes the complaint Guarantor devices via the form on the following website zeego.pl or Authorized Representative in person or by telephone. List of Authorized Representatives of containing their addresses and telephone numbers has been posted at www.zeego.pl.

9. After the adoption of the complaint by the Guarantor, will issue a confirmation of the customer complaint, which will be given individual notification number (RMA). In case of filing a complaint through the Authorized Representative of the Guarantor, this will contact the customer to confirm forwarding the application to the Guarantor and provide information about that number RMA.

10. After receiving the complaint Guarantor shall immediately contact the customer to determine the date at which the representatives of the Guarantor will make an inspection and evaluation of technical devices in the presence of the customer.

11. After inspection the customer will be informed about the date and manner of handling the complaint. Repair or replacement equipment should take place no later than 14 days with the proviso that the fact that all components of the devices are covered by the manufacturer's warranty, the duration of the warranty can be extended by the time waiting for a replacement component by its manufacturer.

12. indicated in point 2 of the warranty period is extended by the time during which repair or replacement were performed, and the customer was prevented from using the devices.

13. Travel costs for faulty equipment, or the cost of transportation to the place of repair cover Guarantor. Where it is found that the disadvantages of devices arise from circumstances for which the guarantor is not responsible, then the guarantor may charge these costs Buyer.

14. The guarantor may refuse to accept a complaint if it finds that the customer does not have a valid warranty or malfunction of devices due to reasons other than a defect inherent physical devices in the Device, in particular those mentioned in section 15.

15. The warranty does not cover:

a) mechanical defects of devices, including cracks, fractures, cuts, abrasions, physical deformations caused by impact, fall or dropping on a device other object;

b) operation incompatible with the intended devices, manual devices, or the manufacturer or the Guarantor;

c) damage or defects caused by the fault of the user, or third parties;

d) damage caused by external causes, not previously inherent in the Device, including force majeure;

e) damage caused by the impact of weather conditions on the device;

f) damage caused by power surges and power supply, a faulty connection to the power grid and the use of incorrect fuses;

g) damage caused by improper maintenance or lack of maintenance equipment,

17. This warranty does not exclude, limit or suspend the rights of the Customer arising from the provisions of the warranty for defects in the goods sold.

#### Utilization



Electronic devices are recyclable waste and must not be disposed of in the trash. Products must be disposed of after the operation in accordance with applicable law.

#### Distribution

Zeegroup Sp. z o.o.

Zeego.pl

Zeego.eu

If you have questions, please contact your local representative.



R1.0



Made in EU